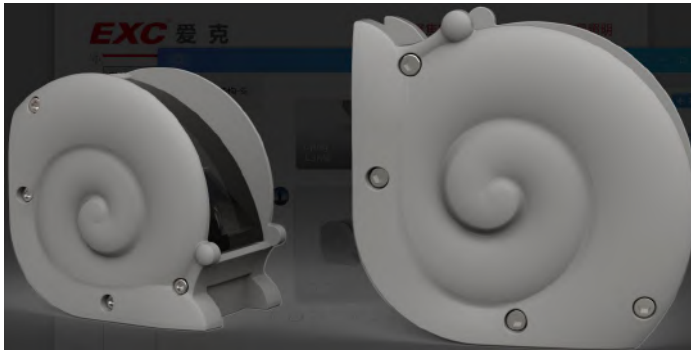


EXC-B110ABL LED Sill Light



Application Environment:
Indoor
Outdoor

Description:

EXC-T110ABL Snail Window Wall washer light are a single color LED light with extruded aluminum alloy housing, which are designed for window lighting by EXC-T110ABL LED. With Unique appearance design, mainly used for Special area lighting light window, lighting up the whole window, to create special lighting effect.

Features

- Bionic design, vivid and interesting
- It has a variety of dynamic models, including the creeping mode of window corners, the straight-line mode in windows and the climbing mode of window corners, to create a lively and happy scene
- The arched shape can well shield the dazzling light.
- Low thermal resistance path cooling design.

Basic Specifications

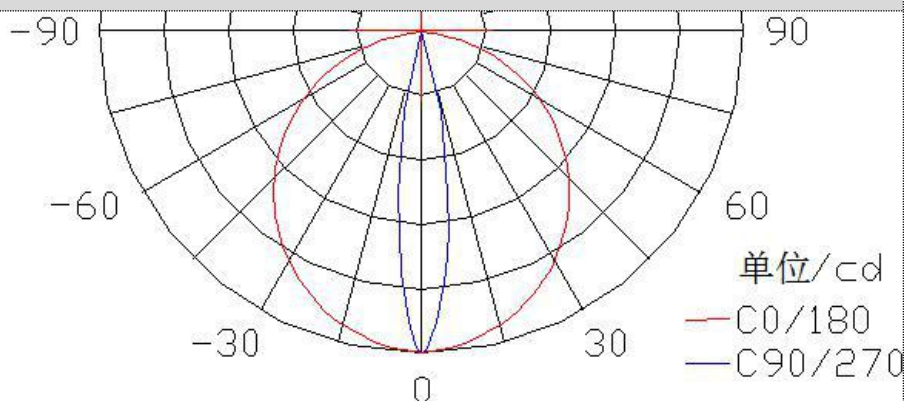
Color Range	W(2200K-6500K), RGB
Working Voltage	DC 24V
Max. Power Consumption	3W
Light Source	12 PCS High Power LEDs
LED chip Brand	Optional(Cree, OSRAM, Lumileds, Epistar, etc...)
CRI	80
Control	DMX512, ON/OFF
Source Life	50,000 h
Housing	High Strength Aluminum
Cover	Tempered glass
Weight	0.7Kg
Dimensions	110mm x 110mm x 75mm (L x W x H, exclude Mounting Bracket)
Installation	Installation with screws

Working Temperature	-40°C to 60°C
Storage Temperature	-40°C to 70°C
Protection Rating	IP66
Luminous Flux	50LM/W(White), 20LM/W(RGB)
Beam Angle	120°

Host Controller	EXC-5200
Slave Controller	EXC-2905T1
Signal Cable	EXC-LED outdoor special cable

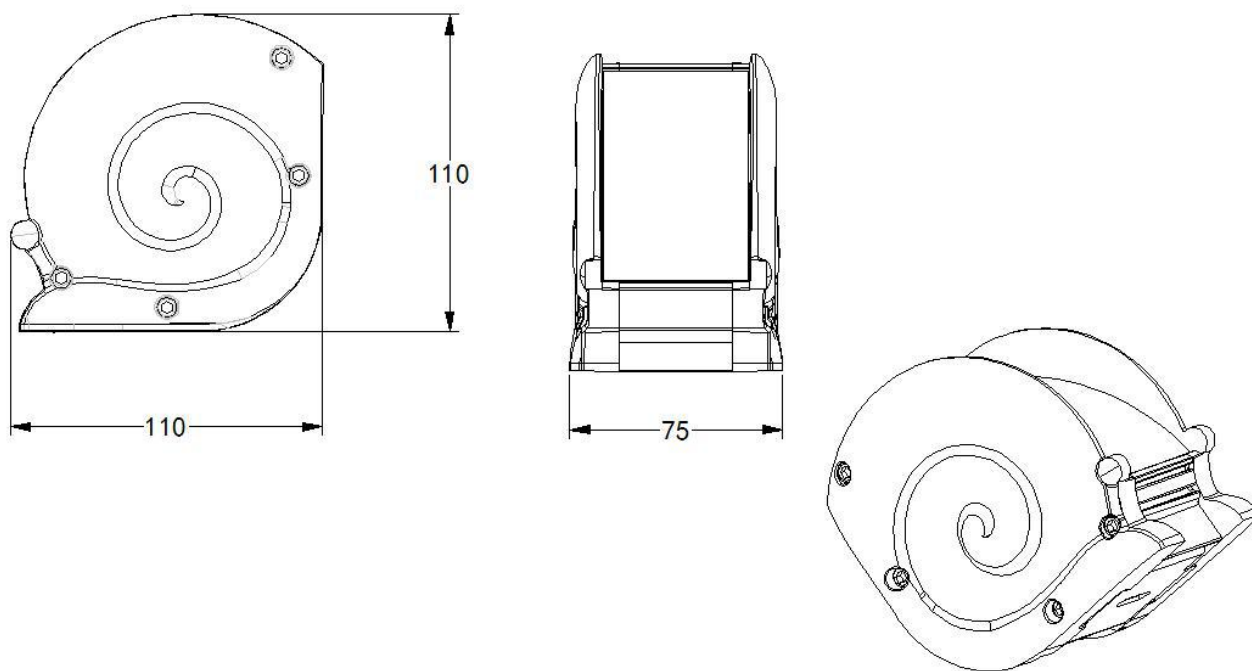
Light Intensity Distribution

Light Intensity Chart

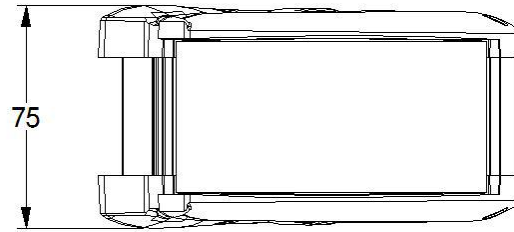


Physical Dimension

Unit: mm

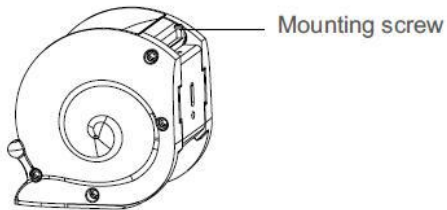


Mounting Accessories:

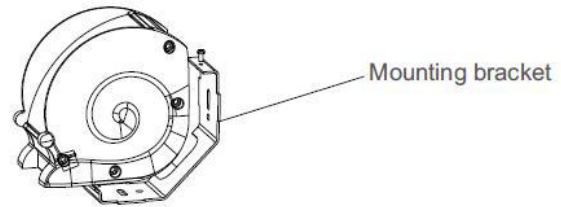


Installation Diagram

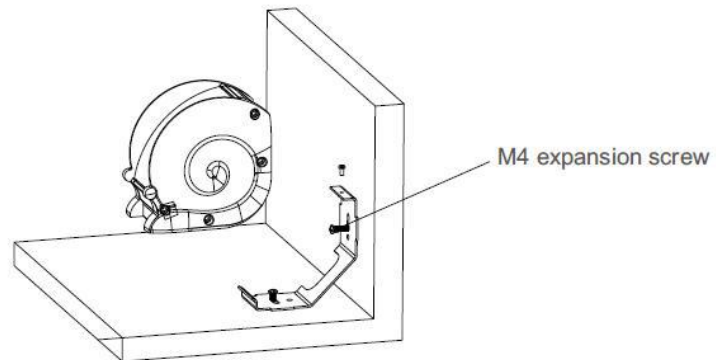
1. Loosen the mounting screws.



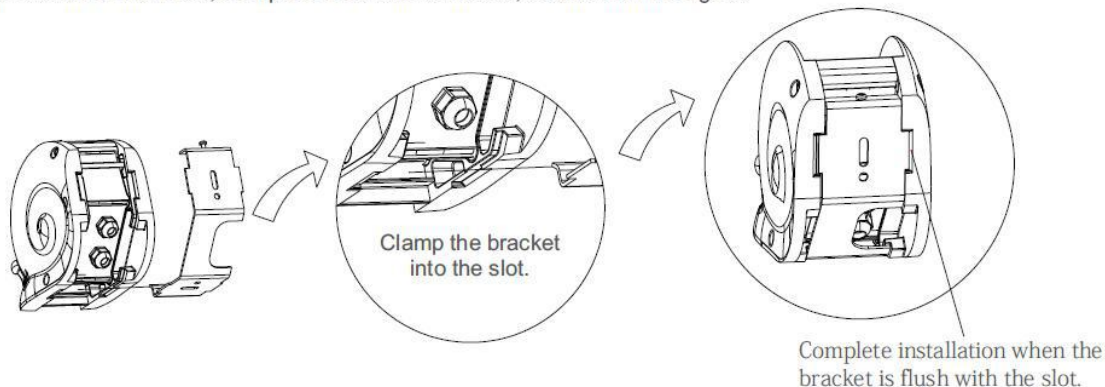
2. Take out the mounting bracket, as shown in the figure.



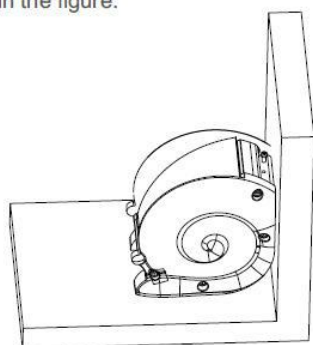
3. Drive M4 expansion screws into the wall and fix the mounting bracket, as shown in the figure.



4. Push the bracket forward, clamp the bracket into the slot, as shown in the figure.



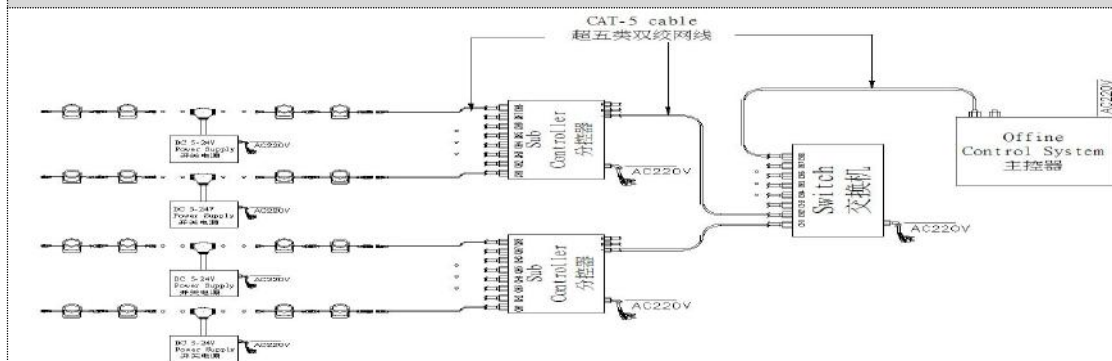
5. Tighten the mounting screws as shown in the figure.



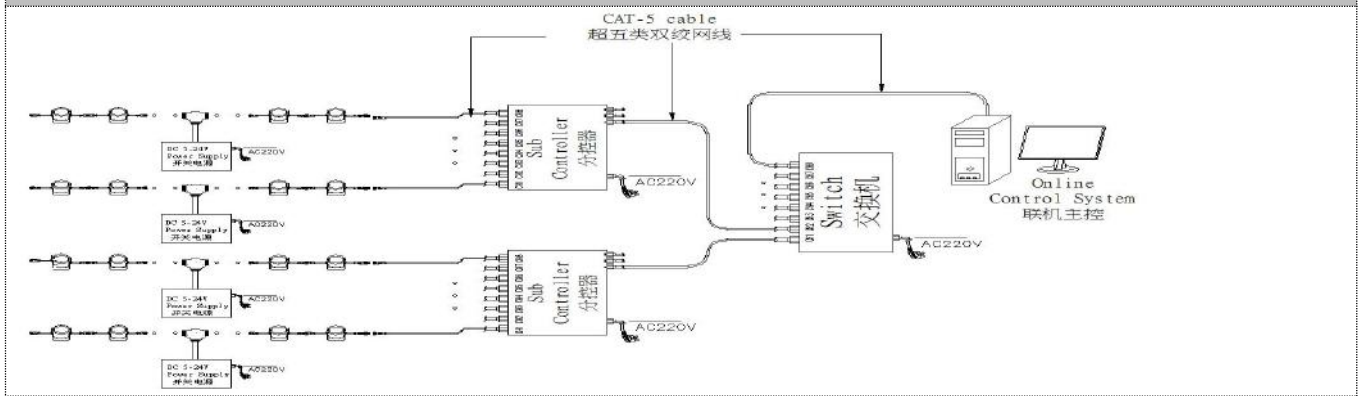
System connection diagram:

- 1、 Host controller should connect with slave controller. Working voltage for controllers are AC220V.
- 2、 On-line main controller should connect with slave controller, on-line main controller and sub controller working voltage are AC220V.
- 3、 each sub-controller with 8 ports, with each port 512 pixels, supporting data converter, supports 100 meters ultra-long haul transmission.
- 4、 The CAT-5 e. cable distance should be within 100 meters between host controller and slave controller, between slave controllers and switch, etc.

Offline Controlling System Diagram



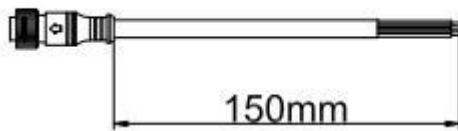
联机系统图: Online Controlling System Diagram



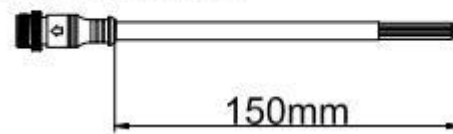
Accessories :

1: Female and Male Connector(Connect to first dot light for signal transmission)

Female Connector

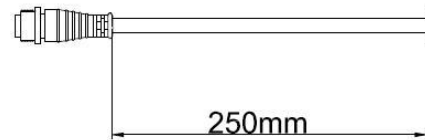


Male Connector



2: Y Shape Connector(For power Distribution)

Male Connector



350mm

250mm

Female Connector

3: Interconnection Cable(1.3M,3M,5M is standard length)

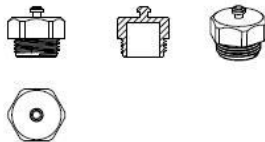
Female Connector



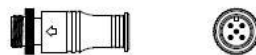
Male Connector



4: End Cap



Male Connector



Male Connector