

WL138DRL Cicada



Application Environment:
Indoor
Outdoor

Description:

EXC- WL138DRL series products are a kind of high-strength aluminum alloy shell specially designed for outdoor landscape lighting, which can be used for specific lighting areas or landscape painting, landscape gardening, etc.

Features

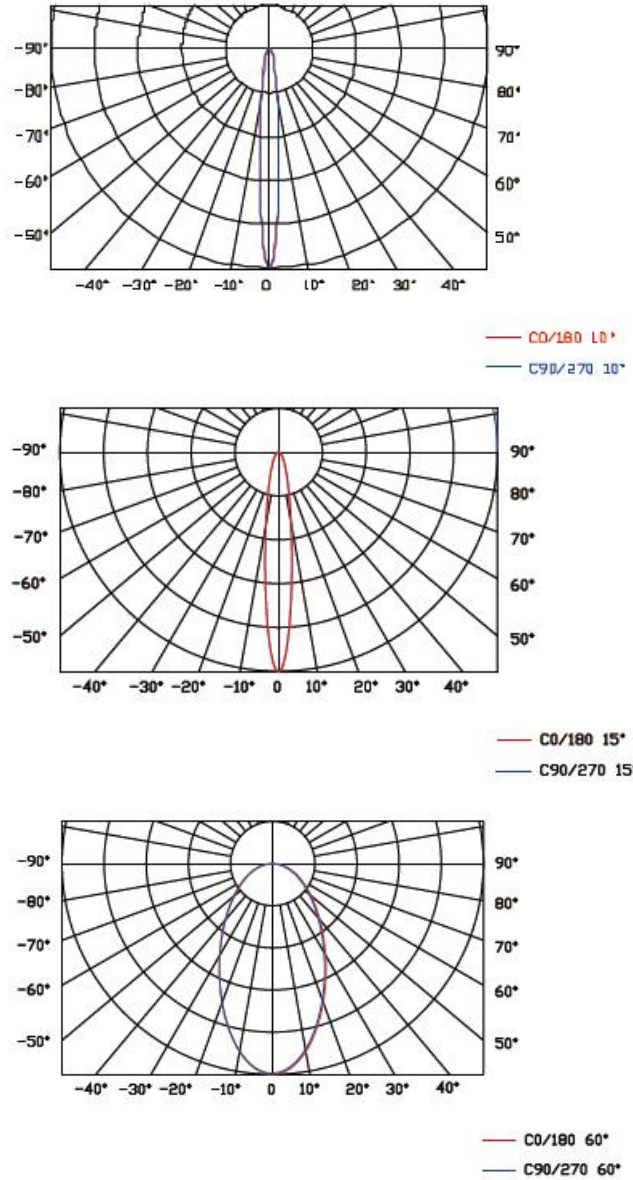
- High strength aluminum housing with low thermal resistance heat dissipatch design
- Full-sealed filling waterproof design by German imported glue
- Outdoor lightning protection and electrostatic discharge (ESD) protection design
- LED display level weather resistance, low current design

Basic Specifications

Color Range	W(2200K-6500K), RGB, RGBW
Working Voltage	DC 24V
Max. Power Consumption	10W/12W(White), 15W(RGB), 12W/15W(RGBW)
Light Source	4(White), 5(W, RGB, RGBW) PCS High Power LEDs
LED chip Brand	Optional(Cree, OSRAM, Lumileds, Epistar, etc...)
CRI	80
Control	DMX512, ON/OFF
Source Life	50,000 h
Housing	High Strength Aluminum
Cover	Tempered glass
Weight	0.72Kg
Dimensions	138mm x 175mm x 72mm (L x W x H, exclude Mounting Bracket)
Installation	Installation with screws
Working Temperature	-40°C to 60°C

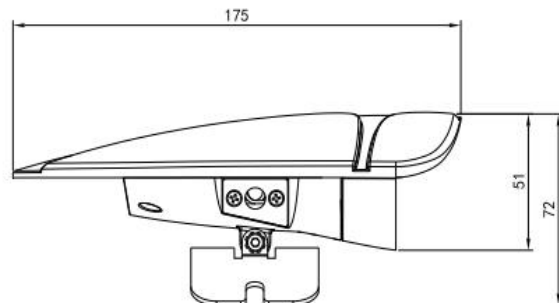
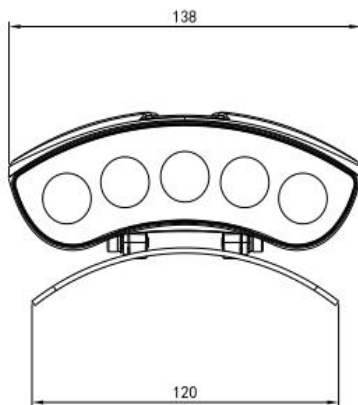
Storage Temperature	-40°C to 70°C
Protection Rating	IP66
Luminous Flux	50LM/W(White), 20LM/W(RGB)
Beam Angle	W-3030P7: 10° /15° /20° /30° /45° /60° /80° CREE XP series: 6° /8° /10° /15° /20° /30° /45° /60° /80° 3535: 30° /45° /60° /80° 3030/5050 RGB/RGBW: 17° /20° /30° /45° /60°
Host Controller	EXC-5200
Slave Controller	EXC-2905T1
Signal Cable	EXC-LED outdoor special cable
Light Intensity Distribution	

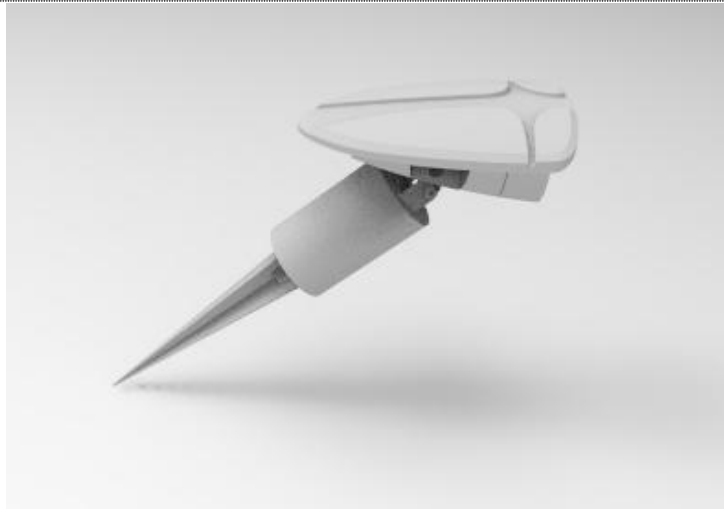
30°
Light Intensity Chart



Physical Dimension

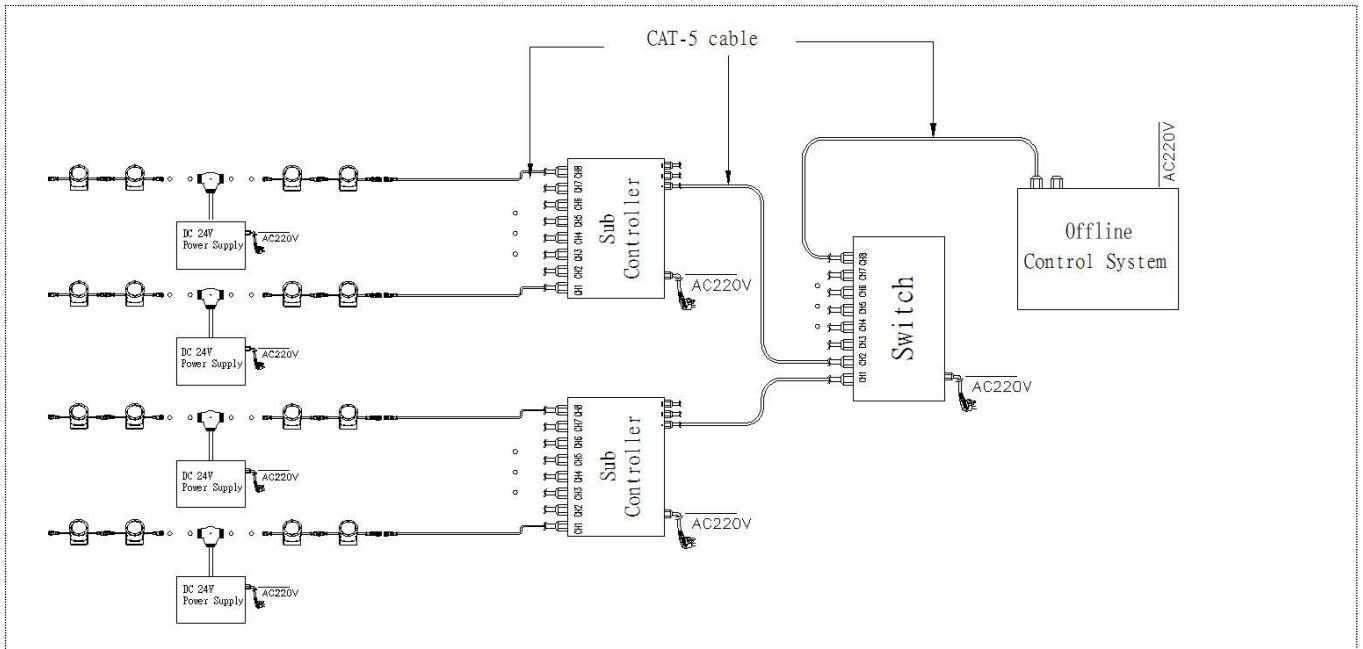
Unit: mm



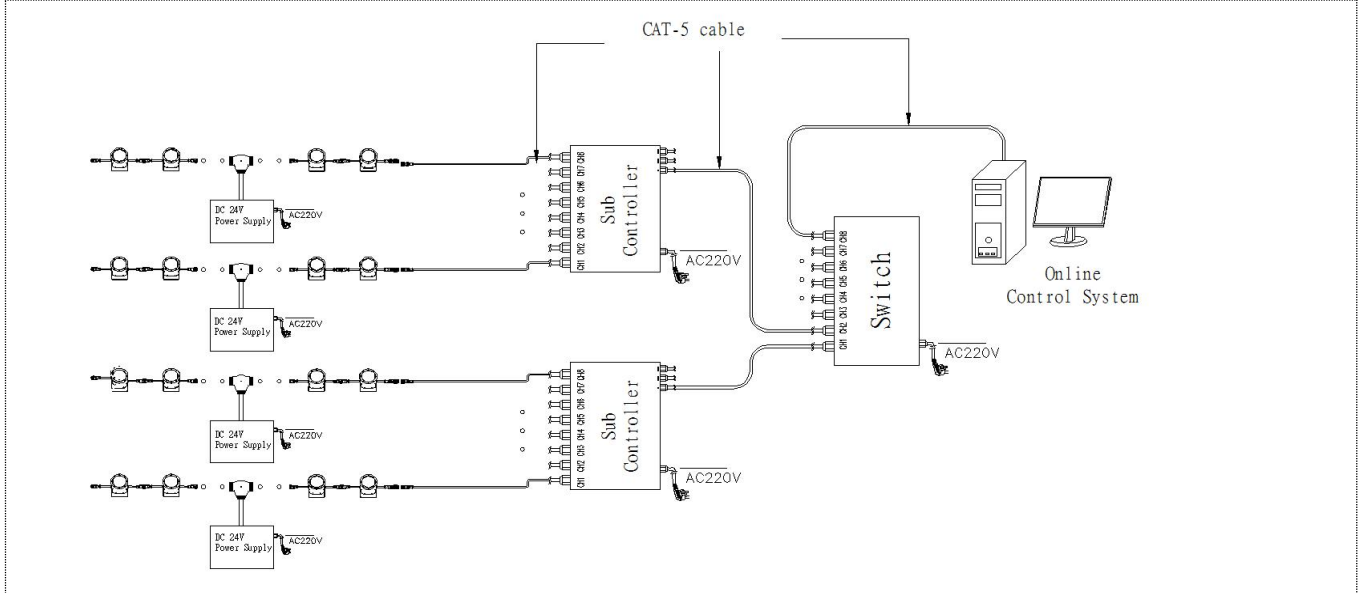
Installation Diagram**Tree holding installation****Ground plug installation****System connection diagram:**

- 1、 Host controller should connect with slave controller. Working voltage for controllers are AC220V.
- 2、 On-line main controller should connect with slave controller, on-line main controller and sub controller working voltage are AC220V.
- 3、 each sub-controller with 8 ports, with each port 512 pixels, supporting data converter, supports 100 meters ultra-long haul transmission.
- 4、 The CAT-5 e. cable distance should be within 100 meters between host controller and slave controller, between slave controllers and switch, etc.

Offline Controlling System Diagram



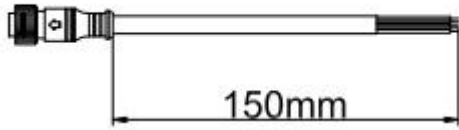
Online Controlling System Diagram



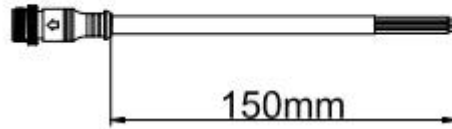
Accessories :

1: Female and Male Connector(Connect to first dot light for signal transmission)

Female Connector

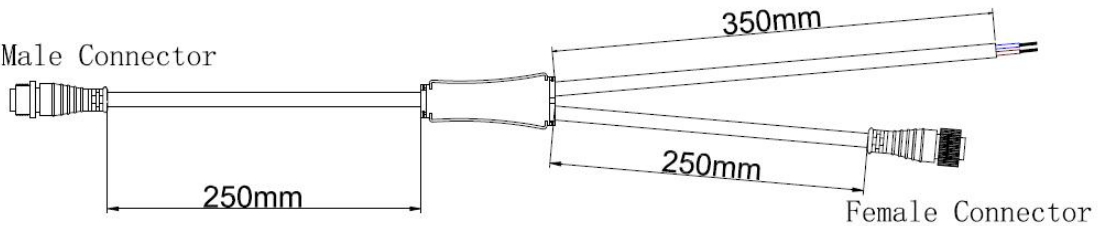


Male Connector



2: Y Shape Connector(For power Distribution)

Male Connector



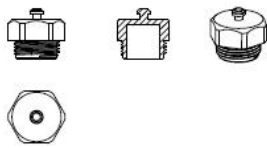
3: Interconnection Cable(1.3M,3M,5M is standard length)

Female Connector

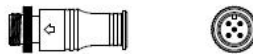
Male Connector



4: End Cap



Male Connector



Male Connector